

# Handheld Scanners

## Z-3021

### Handheld Laser Scanner



### Features

#### Easy on-site upgradeability

Integrated with electronically erasable flash memory to ensure easy on-site upgradeability

#### Built-in decoder

Allows automatic recognition of most popular 1D barcodes and can be configured by scanning the programming menu

#### Latest ID design for operation comfort and durability

Elastic rubber protection, a larger operating button and a wider LED light

#### Scanning signals

Indicators include LED light and programmable beeper for scanning status

#### Flexible communications

Multi-interfaces include keyboard, RS-232C, USB and wand

### Applications

Point-of-sale

Stock control

Logistics tracking

Document tracking

Shipping/receiving

This handheld laser scanner, Z-3021, is newly designed in a rugged finish by elastic rubber protection, and a durable yet bigger trigger for an easier operation touch to even the heaviest usage.

With built-in decoder, Z-3021 recognizes and decodes the major and popular 1D barcodes on the market with superior scanning performance, and with integration of electronically erasable flash memory to ensure easy on-site upgradeability. The Z-3021 is ergonomically "Aim-And-Shoot" design to use intuitively and minimizes operator training.

Multi-interface, larger LED scan indicator and programmable beep tone, thoughtful design and advanced features, the Z-3021 laser scanner certainly adapts to you and your business needs with competitive pricing, so fulfill the demand for a cost-saving, performance-maximized by Z-3021.

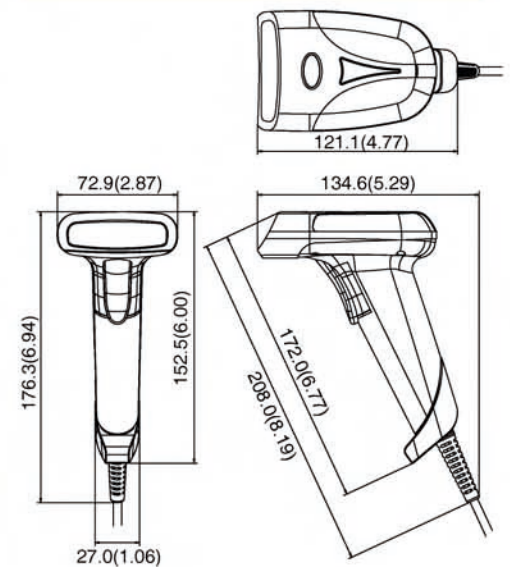




## Specifications

OPERATIONAL	
Light Source	650 nm visible LED
Depth of Field	10 - 220 mm (UPC/EAN 100%)
Scan Rate	40 scans per second
Scan Angle	42°
Scan Pattern	Single Scan Line
Minimum Bar Width	0.125 mm (5 mil) (0.1 mm actually) (Code 39, PCS=90%)
Print Contrast	30% @ UPC/EAN 100%
Indicators (LED)	Blue LED
Beeper Operation	Programmable tone & beep time
System Interfaces	Keyboard, RS-232C, USB1.1, wand
PHYSICAL	
Height	172.0 mm
Depth	121.1 mm
Width	72.9 mm
Weight	150 g (cable excluded)
Cable	Standard 2 m straight
POWER	
Input Voltage	5 VDC ±5%
Operating Current	120 mA
REGULATORY	
Laser Safety	IEC 60825-1 Class 2
ENVIRONMENTAL	
Operating Temperature	0°C – 50°C (32°F – 122°F)
Storage Temperature	-20°C – 60°C (-4°F – 140°F)
Humidity	20% – 85% RH (non-condensing)
Light Levels	Max. 10,000 Lux (fluorescence)
Shock	Designed to withstand 1.5 m drops
DECODING CAPABILITY	
1D Barcodes	UPC/EAN/JAN, UPC/EAN with supplementary, JAN 8 & JAN 13, ISBN/ISSN, Japanese Bookland EAN, Code 39, Code 39 with full ASCII, Codabar (NM7), Code 128, Code 128 with full ASCII, Code 93, Interleaved 2 of 5 (ITF), Addendum 2 of 5, IATA Code, MSI/Plessey, China Postal Code, Code 32
Options	Industrial 2 of 5, Standard 2 of 5, Code 11, Discrete 2 of 5, Matrix 2 of 5, UPC/EAN RSS, RSS variants

## Dimensions



Unit: mm(inch)